



# Zero Data Loss & Nonstop Video Backup

## Archive & Failover Server

The X8024 and X5016 are GVD's Archive Server and Failover Server to ensure system availability and zero data loss on your business floors.

With GVD HA solutions, you won't miss any doubtful events or critical alarms.

The Archive Server backs up from up to 256 channels while a Failover Server can watch over 30 NVRs if any of your NVRs fails.

GVD's redundancy servers are designed for large-scale projects, such as government, homeland security, city surveillance, airports, seaports, mining, offices, factories, campuses, hotels, banks, etc.

- Both Archive Server and Failover Server support cloud architecture
- Single Failover Server can watch over 30 NVRs, in an N+M failover architecture
- Archive Server supports Fast Data Bridge for quick data transfer
- Support Dual-Streaming archiving for limited bandwidth environment and longer time storage



# Key Features

## ■ Guarantee data availability

GVD Archive Server X8024 supports up to 256 IP cameras with extended storage to 680TB. Also, the Archive Server has fast data transfer with flexible backup options: 24x7, scheduled, by key-frame, or dual-streams to meet any enterprise customers' needs.

## ■ Takeover in no time

GVD Failover Server X5016 features N+M failover for fault tolerance and disaster recovery. Best investment, one single X5016 can watch over 30 NVRs and take over a failed NVR within 45 seconds to ensure minimum data loss.

## ■ Fast data bridge

GVD Archive Server comes with industrial-fast SSD to handle large-scale video data from multiple NVRs with hundreds of IP cameras. Superior design to legacy streaming video migration, 2~10 times faster, saves tremendous time for mission-critical customers.

## ■ Easy management

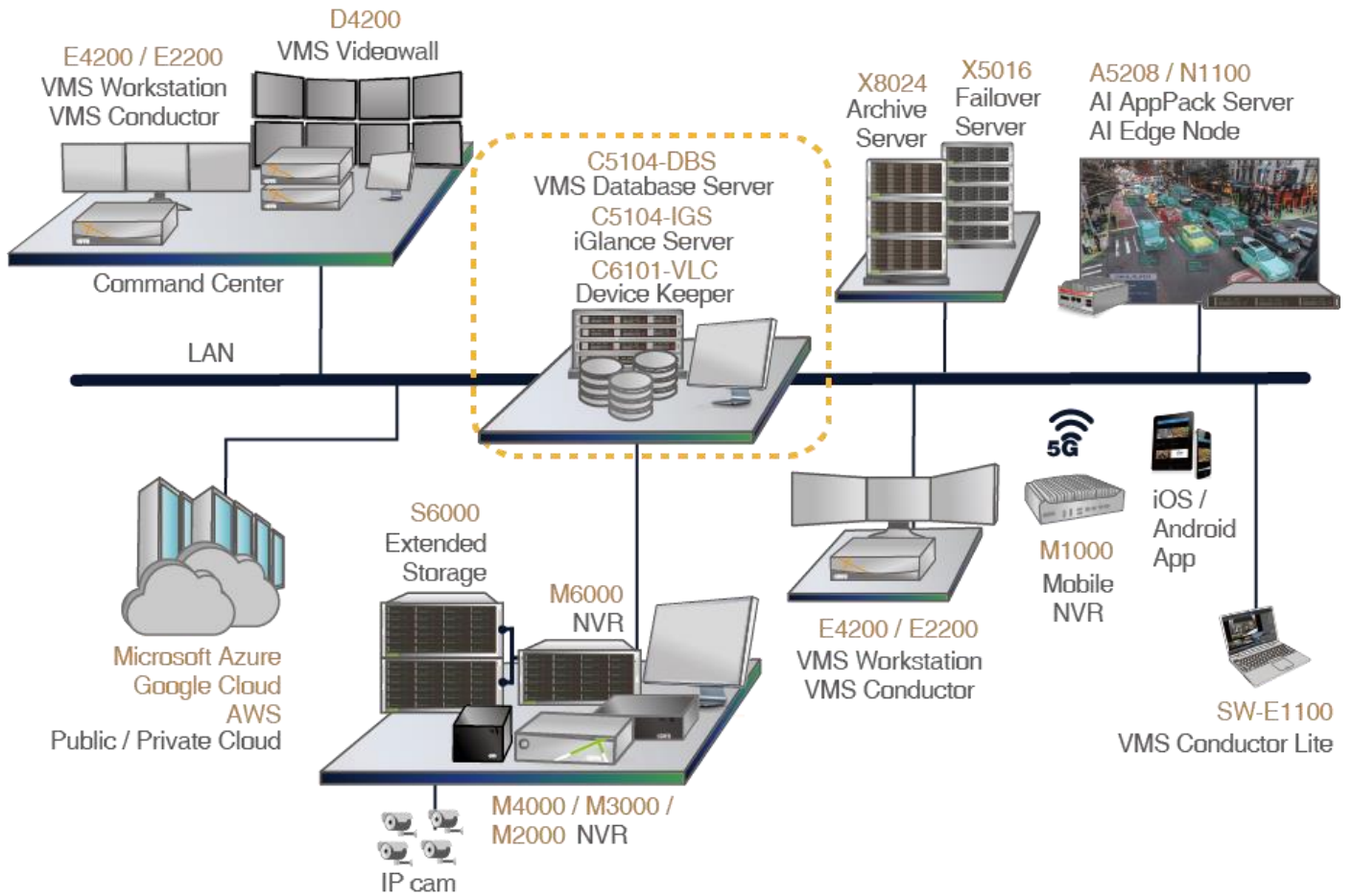
GVD Workstation makes it easy for users to configure their Archive and Failover Servers. Data HA can be ensured in any incident event.

## ■ Easy project scale-up

GVD Archive and Failover Servers are designed with GVD VMS 4.0 Suites, a cloud-based AI video system that supports easy scale-up to overcome any kind of system integration trouble. The 4.0 can stack up to a group of workstations, video walls, NVRs, data servers, storage, 3rd-party systems, and a large number of 100,000 IP cameras.

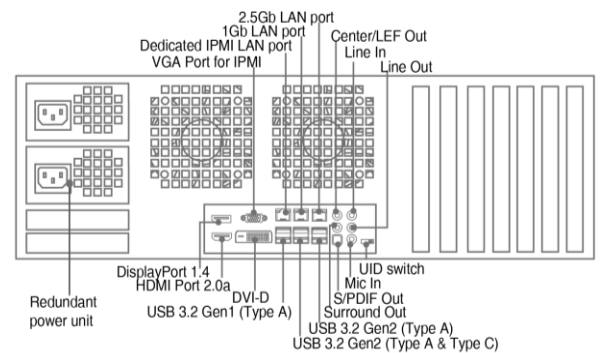
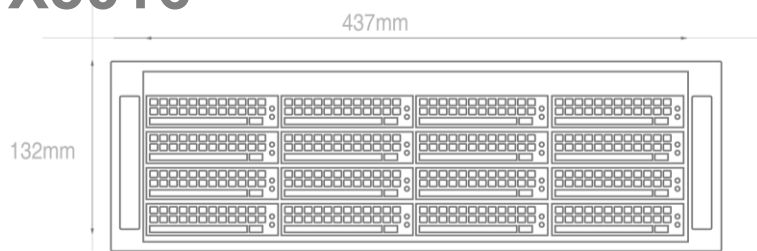


# System architecture

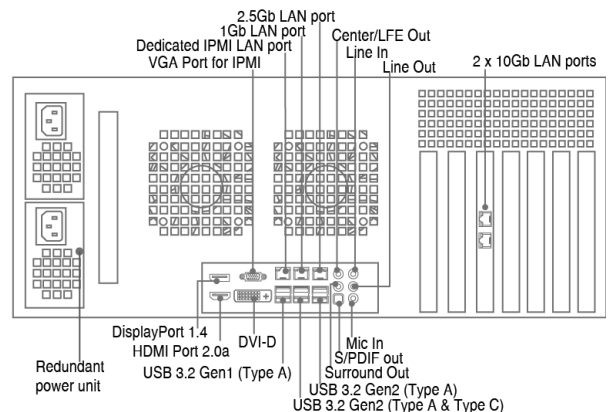
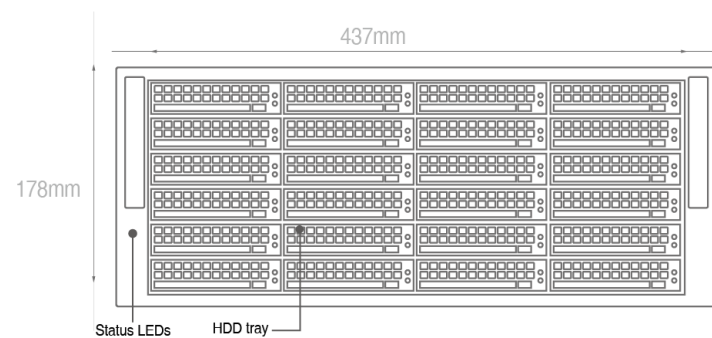


# Hardware dimensions

## X5016



## X8024



# Specifications



Product		X8024	X5016
Description		Archive Server	Failover Server
System	CPU	Intel® 4 Core	
	Memory	16G	
	Operating System	Windows® 10 IoT Enterprise	
	Watchdog	Software / Hardware watchdogs	
Storage	Interface	3.5" SATA HDD	
	HDD trays	24 pcs	16 pcs
	Storage capacity	24 x 10TB	16 x 10TB
	RAID level	RAID 0, 1, 5, 6, 10, 50, 60	
Display	Interface	1 x VGA (for IPMI), 1 x DVI-D, 1 x DisplayPort 1.4, 1 x HDMI 2.0a	
	Local display resolution	4096 x 2160 	
Interface	USB port	Rear: 2 x USB3.2 Gen1 (Type A); 4 x USB3.2 Gen2 (1 x Type C & 3 x Type A)	
	Audio port	Rear: 1 x Center/LFE Out, 1 x Surround Out, 1 x S/PDIF Out, 1 x Line In, 1 x Line Out, 1 x Mic In	
Network	LAN port	1 x 1Gb LAN; 1 x 2.5Gb LAN; 2 x 10Gb LAN	2 x 1Gb LAN
Power	Voltage	100~240 Vac, 50-60Hz	
	Redundancy	Yes	
	PSU	1200W	1000W
	Consumption (w/o HDDs)	237W	212W
Environment	Operating temperature	5°C~35°C (41°F~95°F)	
	Storage temperature	-40°C~70°C (-40°F~158°F)	
	Operating humidity	8%~90%	
	Storage humidity	5%~95%	
Mechanic	Chassis	4U rackmount	3U rackmount
	Certification	CE, FCC	
	Size (W)x(H)x(D)	437x178x660 mm	437x132x647 mm
	Net weight (w/o HDD)	34 kg	32.7 kg
Software		X8024	X5016
Video Archiving	IP camera license support	128-256	128
	Network support	Fiber, Giga RJ45, network teaming	Giga RJ45, network teaming
	Cam resolution support	D1, 1.3~20 megapixel	
	Archiving mode	Full-time, by schedule, key-frame, dual-channel	N/A
	Recording mode	N/A	Full-time
	Recording rate	N/A	Max. 384Mbps
	Video codec	H.265, H.264	
	Protocol	ONVIF Profile S, IPv4, TCP/IP, UDP, HTTP, HTTPS, SMTP, SNMPv2, DNS, DDNS, DHCP, NTP, ARP, ICMP, FTP, RTSP/RTP/RTCP, IGMPv3, UPnP, CIFS, NFS	
System Support	E4200 VMS Workstation	Yes	
	C5104 VMS Database Server	Yes	
	C6101 Device Keeper	Yes	